



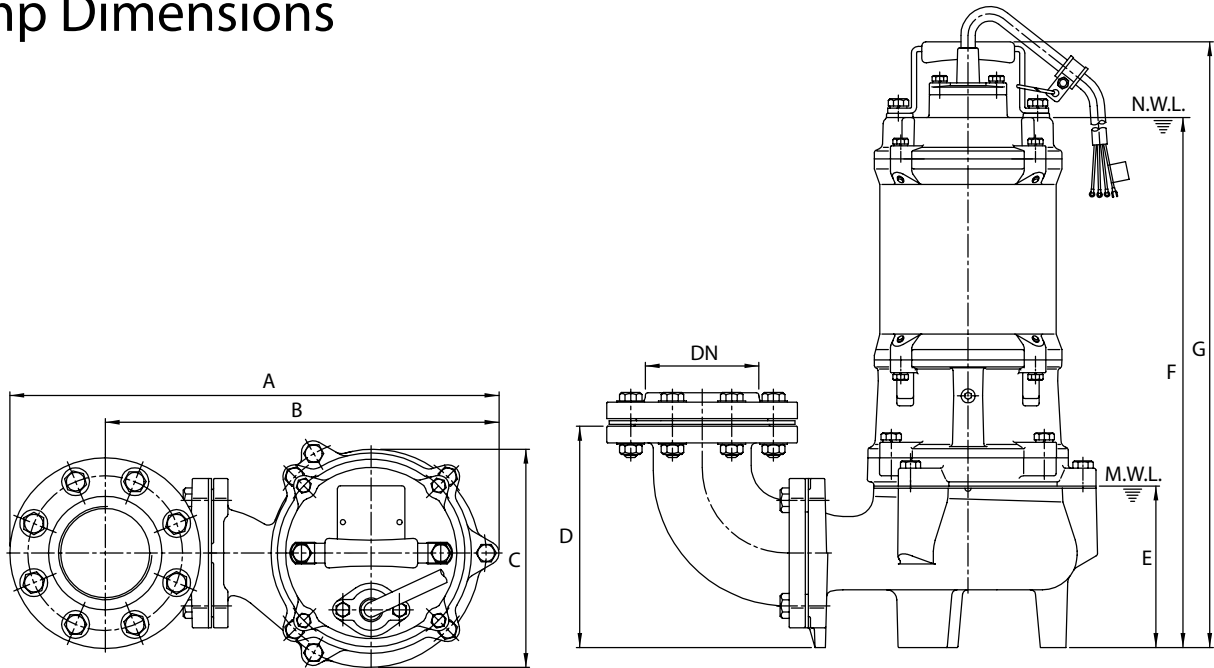
Dimensional Drawing

SNC Models

01/15/2005

SNC-03V-XX-50

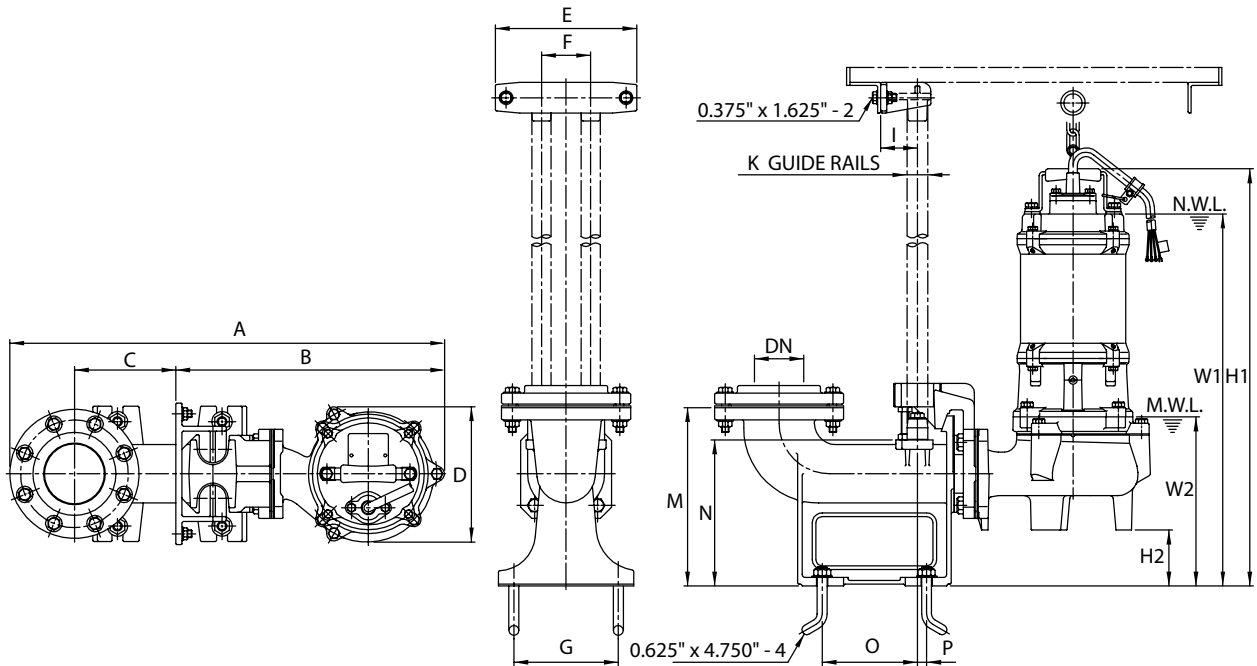
Pump Dimensions



TYPE	DN	A	B	C	D	E	F	G
SNC-03V-XX-50	3	18.75	15.13	8.63	8.50	6.25	20.25	23.13

N.W.L.: Normal water level
M.W.L.: Minimum water level

Easy Lift GRS - Guide Rail System Dimensions



TYPE	DN	A	B	C	D	E	F	G	I	K	M	N	O	P	W1	W2	H1	H2
SNC-03V-XX-50	3	25.75	17.00	5.13	8.63	9.00	3.13	5.88	2.38	1.25	11.25	9.25	5.38	0.63	23.50	10.50	26.50	3.50

All dimensions are in inches unless otherwise noted.